

VASO

Explosion Proof Jelly Jar Light

JELLY JAR LIGHT CLASS I DIVISION 2



Product Description:

The Vaso Explosion Proof Jelly Jar Light is designed for a lumen output range of 2800 – 5600 lm. This compact fixture features a copper-free powder-coated aluminum-alloy body for added durability and a special heat dissipating design in conjunction with anti-vibration technology to ensure a high lifespan with maximum lumen retention. This fixture utilizes a premium Meanwell Driver & SMT LED chipset to achieve high efficacies.

Classifications / Ratings

- **Class I, Division 2, Groups A, B, C, D**
- **Class II, Division 1, Groups E, F, G**
- **Class II, Division 2, Groups F, G**
- **Class III**

Environmental

- Ambient Operating Temperature -40 °F ~ +140°F
- Temperature Rating **C1D2 T6**
- Ingress Protection Rating of **IP66**
- Impact Protection of **IK10**
- Average Life of 50,000 Hours.

Construction

Housing	Copper Free Aluminum
Cover Material / Lens	Tempered glass
Base / Power Supply	Direct Wire
Finish	Gray

Application Areas

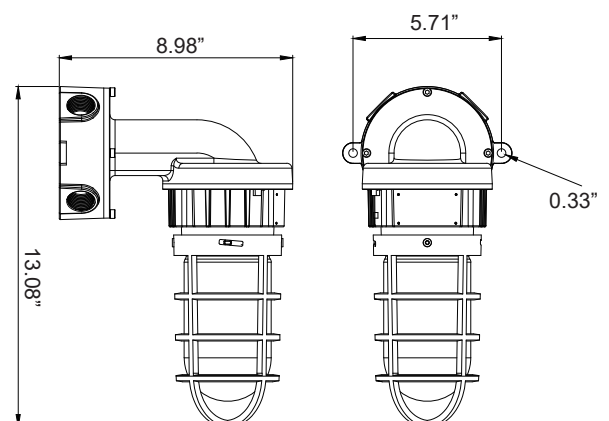
- Oil and gas industry
- Chemical industry
- Marine and aerospace field
- Metal treatment
- Food and alcohol industry

Warranty

- 5-year limited system warranty standard
- Warranty does not cover product failure due to an overvoltage event (power surge)



Dimension Diagram



Product Specifications:

Item	Specification	Details		
Model Version		O1L140		
Electrical	Power	20W	30W	40W
	Voltage	100-277 V AC 50/60 Hz		
	Current	0.08A	0.12A	0.16A
	Power Factor	>0.9		
	Surge Protection	10 kV		
Lighting Performance	Lumens	2800 lm	4200 lm	5600 lm
	Efficacy	140 lm/W		
	Color Temperature (CCT)	4000 K, 5000 K		
	Color Rendering (CRI)	70		
	Beam Angle	120° (40°, 60°, 90°, can be made as per request)		

Ordering Information : Typical order example: IK-EXHB-O1L140-20W-40K-CID2

IK	EXHB	O1L140			CID2	
BRAND	FAMILY	MODEL	POWER	CCT	CLASSIFICATION	MOUNTING OPTIONS
IK IKIO	EXHB Explosion Proof High Bays	O1L140 Vaso Explosion Proof Jelly Jar Light	<input type="checkbox"/> 20W <input type="checkbox"/> 30W <input type="checkbox"/> 40W	<input type="checkbox"/> 40K for 4000K <input type="checkbox"/> 50K for 5000K	CID2 CID2 Explosion Proof Rated	<input type="checkbox"/> CM/WM Ceiling Mount / Wall Mount (Default) <input type="checkbox"/> PM Pole Mount- Straight <input type="checkbox"/> WM90D 90D Wall Mount <input type="checkbox"/> WM90DR 90D Wall mount with Reflector

*Default Mounting Bracket is Ceiling Mount/Wall Mount.
*Refer Accessories Table Before Selecting Your Desired Mounting Options.

Accessories Table:

Mounting Option	Model Ordering Code	Accessories Description	Accessories Image	Product Image
Ceiling/Wall Mount	CM/WM	Ceiling Mount Bracket IK-EX-CM/WM		
Pole Mount- Straight	PM	Junction Box IK-EX-JB		
		Straight IK-EX-SP		
90D Wall Mount	WM90D	Wall Mount- 90D IK-EX-WMJB90D		
90D Wall Mount with Reflector	WM90DR	Wall Mount- 90D IK-EX-WMJB90D		
		Reflector IK-EX-REFLECTOR		